

060-0450
EZ Access Baggage
Door Lock



DESIGNED FOR:

- Recreational vehicle baggage doors and engine compartments

FEATURES/BENEFITS:

- Offers lower operating efforts and a more forgiving assembly
- Ample finger clearance
- Paddle can be locked before the door is shut (slam action)
- Same styling as the proven TriMark 060-0400 Flush Mount Baggage Lock (retrofitable)
- Improved plunger design
- Increased mechanical advantage to allow for lower operating efforts

Global Locations:

TriMark Corporation
500 Bailey Avenue
P.O. Box 350
New Hampton, Iowa 50659
United States
Tel: 641-394-3188
Fax: 641-394-2392
1-800-447-0343
www.trimarkcorp.com

TriMark Europe
Cedar Court
Walker road
Bardon Hill
Coalville LE67 1TU
United Kingdom
Tel: +44(0)1530 512460
Fax: +44(0)1530 512461
www.trimarkeu.com

TriMark (Xuzhou)
Building A5 Jingwu Road
Xuzhou Economic
Development Zone
Xuzhou, Jiangsu
221004 PR China
Tel: +86 516 8773 0018
Fax: +86 516 8773 0058
www.trimarkcn.com



TriMark. Interactive. Product. Selector



TriMark



TriMark Corporation

USE WITH:

- Please refer to our website for related products that are compatible for use with this product

FINISH:

- Paddle and housing: low gloss black powder coat
- Steel components: zinc coat with yellow chromate

MATERIAL:

- Housing and paddle: zinc
- Pivot plate, axles, pivot arm: steel
- Plunger bolt: plastic

AVAILABLE:

- Locking or non-locking
- Keyed alike
- Wide variety of mounting bracket options available for various applications



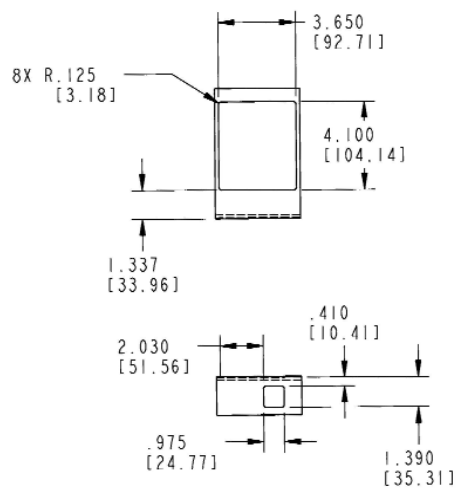
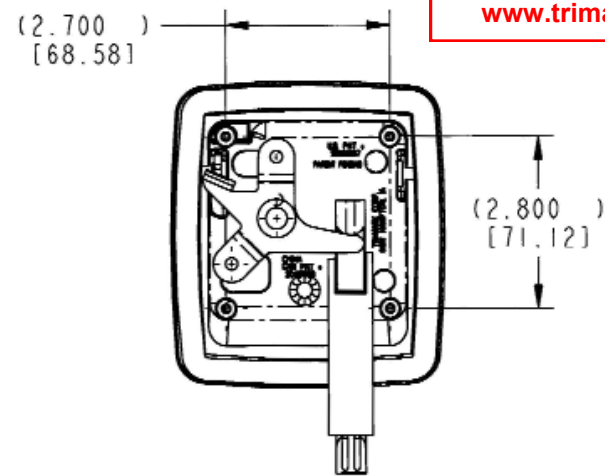
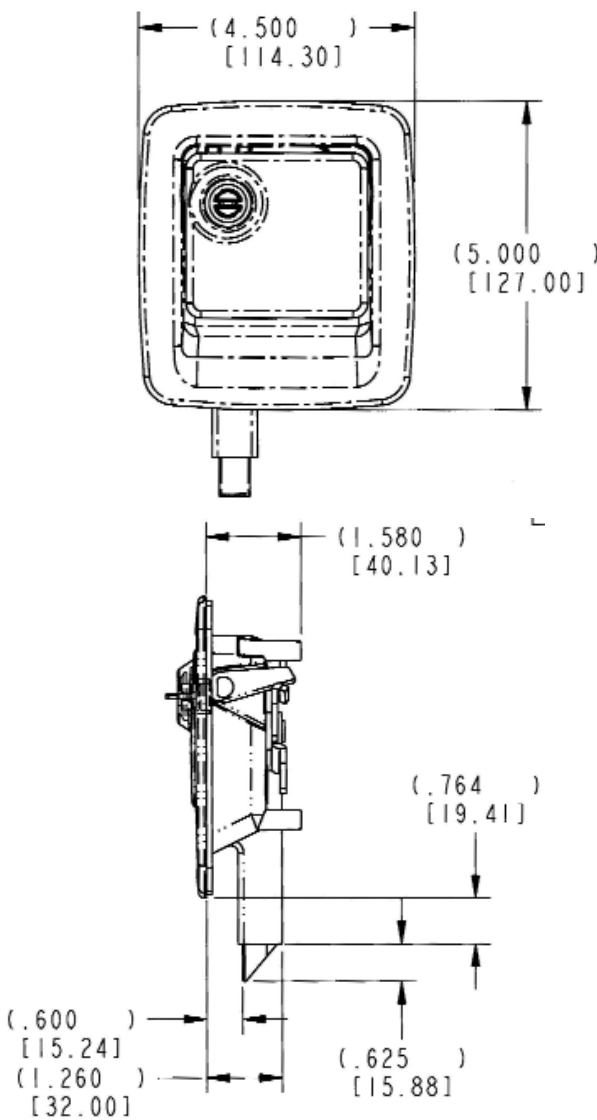
INSTALLATION:

- Mounts with (4) #8-32 thread forming fasteners (not supplied)
- Supplied with gasket already applied under recess in housing flange for simple, clean installation

The KeyOne™ Plus system allows the operation of multiple onboard locking hardware with a single key. Features include a reversible key for ease of operation and a larger body diameter for enhanced security. Please call for more information.

Individual part dimensions are for reference only. Refer to individual part drawings for complete dimensions, specifications, and installation procedures. Engineering assistance and application drawings are available.

For more information visit www.trimarkcorp.com



Cutout and Door Edge Detail